

TRIPLE POWER 3.0 BATTERY

- Systematic design, in-depth optimization and seamless connection with Solax Hybrid inverter
- Unique battery heating technology, which is capable to work at low temperature^①
- Safe type of LiFePO₄ battery, an adoption of high-performance processors
- Modular stacking design, easy installation, supporting floor mounting
- Auto power replenishment technology is adopted to prevent battery over-discharge
- IP65, supporting indoor and outdoor installation
- Remote fault diagnosis, upgrade and maintenance
- Multiple communication interfaces: RS485, CAN
- International brand devices, better stability
- Long life cycle, more than 6000 times
- Safety Cert. TUV, CE, UN38.3 and so on

① With Hybrid G4 inverter



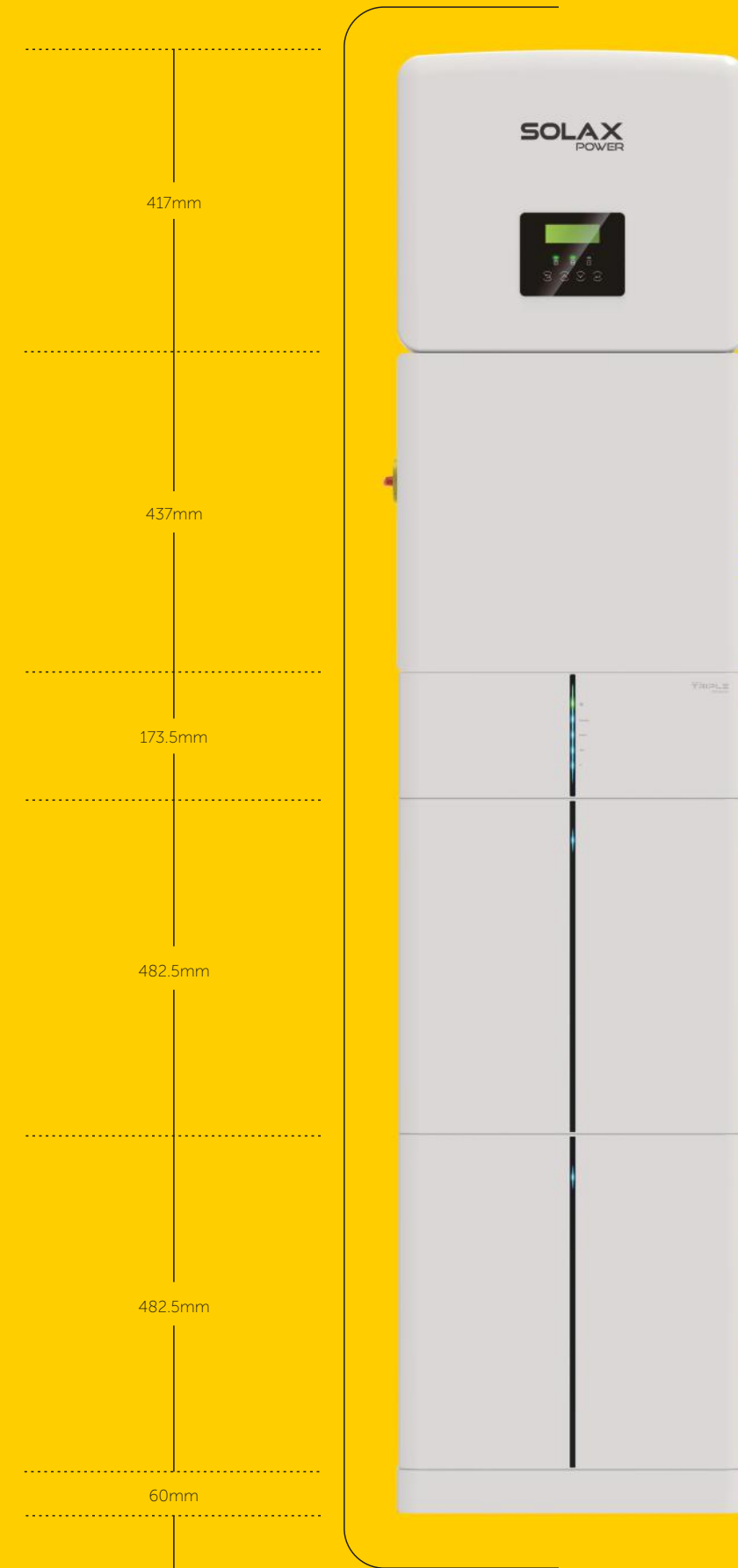
MC0600 →

HV10230 →

	T-BAT H 3.0 V2	T-BAT H 6.0 V2	T-BAT H 9.0 V2	T-BAT H 12.0 V2
Nominal voltage [V]	102.4	204.8	307.2	409.6
Operating voltage range [V]	90 ~ 116	180 ~ 232	270 ~ 348	360 ~ 464
Total energy [kWh]	3.1	6.1	9.2	12.3
Usable energy ^② [kWh]	2.8	5.5	8.3	11.0
Rated capacity [Ah]		30		
Nominal power [kW]	2.5	5.1	7.6	10.2
Max. power [kW]	3.1	6.1	9.2	12.3
Recommend charge / discharge current [A]		25		
Max. charge / discharge current [A] ^②		30		
Battery roundtrip efficiency		95%		
Cycle life [90% DOD]		6000 Cycles		
Expected life time / W arranty [year]		10		
Available charge / discharge temperature range [°C]		-30 to 50		
Storage temperature [°C]		-20 to 50 (3 months)		
Relative humidity [%]		0 ~ 100		
Altitude [m]		Below 3000		
Degree of protection		IP65		
Battery to Inverter		RS485 / CAN2.0		
Battery to battery /BMS		CAN2.0		
Master control capacity indicator		4 LED (25%, 50%, 75%, 100%)		
Master control LED indicator (Working mode)		1 LED		
System switch (on / off)		Buttonx1+Breakerx1		
Certificate		CE, IEC62619, UN38.3, IEC62040, UKCA		
Hazardous materials classification		Class 9		
Dimensions (WxHxD) [mm]		MC0600: 482.5x173.5x153 HV10230: 482.5x471.5x153		
Net weight [kg]	MC0600: 7.5 kg +HV10230: 34.5 kg	MC0600: 7.5 kg +2xHV10230: 69 kg	MC0600: 7.5 kg +3xHV10230: 103.5 kg	MC0600: 7.5 kg +4xHV10230: 158 kg

① Test conditions: 90% DOD, 0.2C charger & discharger @+25 °C
② Max. charge / discharge current may be variant with different inverter models

V2.3. Information may be subject to modify without notice.
650.00011.00



Global: +86 571-56260011
PL: +48662430292

AU: +61 1300 476529
DE: +49 (0) 6142 4091664

UK: +44 2476 586998
NED: +31 (0) 852 737932

www.solaxpower.com
info@solaxpower.com



The 4th Generation Energy Storage System from Solax

X-ESS G4

SMARTER DESIGN
SMARTER ENERGY

www.solaxpower.com

*Can be modified without notice.(V5.0)



SUPPORT 200% OVERSIZED PV POWER STORE EXCESS ENERGY TO BATTERY

SolaX's new X-ESS G4 can help you 100% usage of your daily solar energy with excess energy being stored in the Triple Power batteries for night or backup use.



HIGH RELIABILITY

Stable performance in harsh environment
 * Passed the HALT test
 * Extreme high and low temperature test
 * Salt spray test
 * Aging test with full working load



REDDOT WINNER DESIGN

All-in-one home energy system
 Blends in beautifully



1 PERSON 30 MINUTES INSTALLATION

Faster and easier installation



FAST BATTERY CHARGING SPEED

X-ESS G4 only takes ONE hour to fully charge the Triple Power battery.
 With the shorter charging time, you can store more power in the same time period.



WORKING UNDER EXTREMELY COLD

Working in full load under extreme cold weather -30°C/-22°F



X1-HYBRID G4 (SINGLE-PHASE)

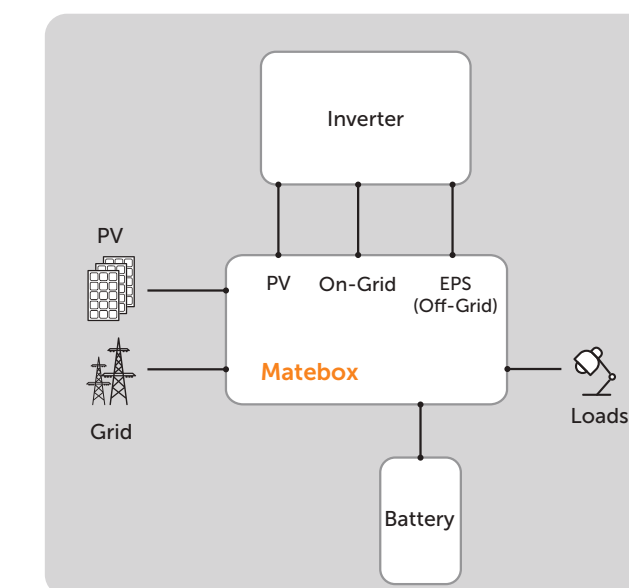
	X1-HYBRID-3.0-D X1-HYBRID-3.0-M	X1-HYBRID-3.7-D X1-HYBRID-3.7-M	X1-HYBRID-4.6-D X1-HYBRID-4.6-M	X1-HYBRID-5.0-D X1-HYBRID-5.0-M	X1-HYBRID-6.0-D X1-HYBRID-6.0-M	X1-HYBRID-7.5-D X1-HYBRID-7.5-M
DC INPUT						
Max. PV array power [Wp]	6000	7400	9200	10000	12000	15000
Max. PV input power ^① (PV1+PV2) [Wp]	4500	5500	6900	7500	9000	10000
Max. PV input voltage [V]	600	600	600	600	600	600
Start output voltage [V]	90	90	90	90	90	90
Nominal input voltage [V]	360	360	360	360	360	360
MPPT voltage range [V]	70~550	70~550	70~550	70~550	70~550	70~550
No. of MPPT trackers / Strings per MPP tracker	2 (1/1)	2 (1/1)	2 (1/1)	2 (1/1)	2 (1/1)	2 (1/1)
Max. input current (input PV1 / input PV 2) [A]	16/16	16/16	16/16	16/16	16/16	16/16
Max. short circuit current (input PV1 / input PV 2) [A]	20/20	20/20	20/20	20/20	20/20	20/20
AC INPUT & OUTPUT						
Nominal AC output power [W]	3000	3680	4600	5000 <small>(Germany 4600; AU 4999)</small>	6000	7500
Max. AC output apparent power [VA]	3300	3680	4999 <small>(Germany 4600)</small>	5500/4600 for VDE 4105, 4999 for AS4777	6600	7500
Max. AC output current [A]	14.4	16	21.7 <small>(Germany 20)</small>	23.9 <small>(Germany 20; AU 21.7)</small>	28.6	32.6
Max. AC input apparent power [VA]	6300	7360	9200	9200	9200	9200
Max. AC input current [A]	27.4	32	40	40	40	40
Nominal AC voltage [V]	230 / 240					
Nominal grid frequency [Hz]	50 / 60					
Displacement power factor	0.8 leading ~0.8 lagging					
THDi (rated power) [%]	<2					
BATTERY DATA						
Battery type	Lithium-ion battery / Lead-acid Battery					
Battery voltage range [V]	80 ~ 480					
Max. continuous charge / discharge current [A]	30					
EPS (OFF-GRID OR BACK-UP) OUTPUT (WITH BATTERY)						
Nominal output power [W]	3000	3680	4600	5000	6000	7500
Peak apparent power [VA]	3600, 1h	4416, 1h	5520, 1h	6000, 1h	7200, 10min	7500
Max. continuous current [A]	13	16	21.7	21.7	26.1	32.6
Nominal voltage [V]; Frequency [Hz]	230; 50 / 60					
Switch time [ms]	<10					
Parallel operation	YES					
SYSTEM DATA						
Max. efficiency [%]	97.6					
Euro. efficiency [%]	97.0					
Battery charge / discharge efficiency [%] ^②	97.0 / 97.0					
Degree of protection	IP65					
Operating temperature range [°C]	-35 ~ +60 (Derating above +45)					
Max. operation altitude [m]	<3000					
Relative humidity [%]	0 ~ 100					
Typical noise emission [dB]	<30					
Storage temperature [°C]	-40 ~ +65					
Dimensions (WxHxD) [mm]	482x417x181					
Net weight [kg]	24					
Cooling concept	Nature cooling					
Communication interfaces	CT/Meter (optional), External control RS485, Pocket WiFi (Optional: Pocket Lan/4G), DRM, USB Upgrade, NTC (optional)					
POWER CONSUMPTION						
Internal consumption (night) [W]	<17W for standby, <2.7W for idle					
STANDARD						
Safety	EN/IEC62109-1/-2					
EMC	EN61000-6-1/2/3/4; EN61000-3-2/3/11/12					
Certification	VDE4105, G99, G98, AS4777, EN50549, CEI 0-21, IEC61727, RD1699, NRS 097-2-1, PEA/MEA, VFR2019, C10/11					

①: Indicates that all model single PV1 & PV2 input power upper limit is 5000 W. ("Max. PV input power^① (PV1+PV2)" restriction takes precedence).

②: PV to BAT Max. efficiency 97.0%, BAT to AC Max. efficiency 97.0%.

V2.4. Information may be subject to modify without notice.

650.00009.00



MATEBOX

For the new X-ESS G4, we get rid of the complicated wiring work by laying all the wires in the Matebox. All you need to do is just to install one module on the top of another, and connect all the cables which are already well-sorted in the Matebox in different ports.

X1-MATEBOX

PV	
Max. input voltage [Vdc]	600
Max. short circuit current (A/B) [A]	18/18
BATTERY	
Battery voltage range [V]	80-480
Max. charge/discharge current [A]	30
ON-GRID(Inverter)	
Rated voltage [Vac], frequency [Hz]	220/230/240, 50/60
Max. on-grid current [A]	32.6
OFF-GRID(Inverter)	
Rated voltage [Vac], frequency [Hz]	230, 50/60
Rated current [A]	32.6
GRID(Utility)	
Rated grid voltage [Vac], frequency [Hz]	220/230/240, 50/60
Max. input current [A]	60
LOAD	
Rated voltage [Vac], frequency [Hz]	220/230/240, 50/60
Max. current [A]	60
ENVIRONMENT LIMIT	
Degree of protection	IP54
Protection class	Class I
Operating temperature range [°C]	-25~+60°C (Derating above +45°C)
Storage temperature [°C]	-40~+70°C
Relative humidity [%]	0~100 (condensing)
Altitude[m]	<3000
Overvoltage category	III(AC), II(DC)
OTHER	
Cooling concept	Nature cooling
DIMENSION AND WEIGHT	
Dimensions [mm]	482x437x185
Net weight [kg]	10.5